

Cornerstone Installation Instructions

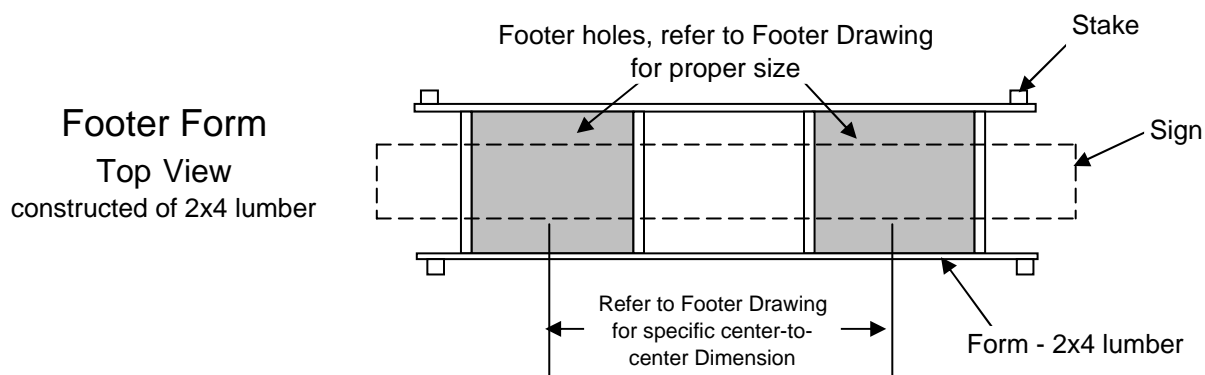
The Cornerstone uses the "direct bury" method of installation.

Prepare the footer holes and mount the sign over the holes with the mounting posts extended into the holes.

Fill with concrete to a level that is 4" below grade.

Footer:

- 1 Dig the appropriate size holes
- 2 Using 2x4 lumber create a single form that encompasses both* holes and recess the form into the ground so the top of the form is even with grade. *Some Cornerstone models only require one hole.
- 3 Level form in all directions.



Sign:

- 1 Remove sign from crate.
- 2 Lay sign flat on a smooth flat surface.
- 3 Unbolt and remove the mounting posts from the mounting sleeves.
- 4 Reverse the mounting post and reattach to the mounting sleeve plate.
- 5 Place the sign onto the the form with the mounting posts extending into the center of the footer holes.
- 6 Check to insure sign is level and plumb, use shims to adjust.
- 7 Begin to add concrete to the footer holes.
- 8 Keep the surface of the concrete 4" below grade to allow future access to mounting bolts.
- 9 Use the bottom of the form as your full mark for the concrete.
- 10 Allow concrete to fully set and remove forms.
- 11 Using wood chips, or other loose landscape material, backfill around the base of the sign.
- 12 Enjoy your new JM Stewart Cornertone sign.

**Preparing
Cornerstone Sign
for Installation**

